

PERRIN & ROWE®
LONDON

ARMSTRONG

BATHROOM COLLECTION



A DISTINCTIVE MEMBER OF THE HOUSE OF ROHL



HOUSE OF ROHL

THE STORY CRAFT TELLS

Perrin & Rowe is a member of the House of Rohl, a collection of artisan brands recognised for their artistry and heritage.

The Rohl family have spent a lifetime seeking stories of dedication, passion and craft. They have brought together diverse brands, exceptional in their category, that complement each other. Independent spirits, but shared values. A belief that quality starts with the material, design is in the detail and craftsmanship is paramount.

Distinctive stories are what makes life exceptional. At the House of Rohl, we discover time-honoured craft, revealing stories unlike any other. Stories of place and provenance. Stories of ingenuity and invention. Stories of a relentless pursuit of perfection.

Welcome to the House of Rohl®

PERRIN & ROWE | RIOBEL
SHAWS | VICTORIA + ALBERT

Explore the collection at houseofrohl.uk

CONTENTS

4	Perrin & Rowe	16	Freestanding Bath Shower Mixer
5	Armstrong	18	Shower Set
7	Design & Technology	20	Accessories
8	Single Lever Mixer	22	Finishes
10	Dual Lever Mixer	23	Technology for modern living
12	Wall-Mounted Single Lever Mixer	24	Pricelist
14	Wall-Mounted Dual Lever Mixer	30	Our promise
		30	Showrooms & Contact

ARMSTRONG

For 50 years, from 1858, the Stafford Road Works in Wolverhampton built over 800 locomotives for the Great Western Railway.

Most were designed by two brothers, Joseph and George Armstrong. Inspired by their designs, Perrin & Rowe's Armstrong collection transforms an industrial aesthetic into a model of timeless elegance. Manufactured in Wolverhampton, just a short walk from the old Great Western Railway works, the Armstrong defines a new category of Industrial Luxe.



PERRIN & ROWE

Over forty years ago in East London, friends Bob Perrin and Greg Rowe began an extraordinary partnership.

Working together, they combined a talent for design with a delight in solving engineering problems. They made their name and international reputation by producing the world's first 3-in-1 tap that dispensed filtered water through a dedicated waterway. Their ethos of British design, engineering and craftsmanship is enshrined in the Perrin & Rowe brand.

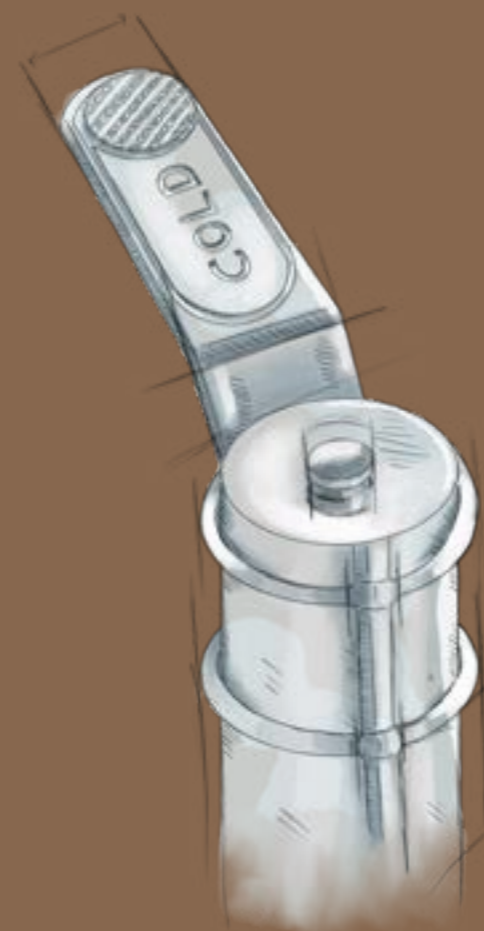


THE DESIGN

The locomotives of Joseph and George Armstrong, intended only as durable workhorses, stir the emotions today, just as they first did 150 years ago.

The Armstrong brothers had a fierce pride in the Great Western Railway, and a desire to live up to the standards set by the architect of the line, Isambard Kingdom Brunel.

In creating the Armstrong collection, our designers had this philosophy in mind. To create a product that works effortlessly, yet appeals to the senses. An industrial aesthetic, made with a craftsman's attention to detail.



THE TECHNOLOGY

Engineered for modern living, the Armstrong collection is easy to install and effortless to use. Without compromise on style or finish, the collection incorporates the latest Perrin & Rowe innovative technology.



ARMSTRONG

SINGLE LEVER MIXER

The Armstrong Single Lever tap emphasises its durability with a distinctive solid brass lever, a single effortless control for temperature and flow.



Dimensions (mm):
W165 x H207 x D40

Finishes:

- Chrome
- Nickel
- Pewter
- English Bronze
- Gold
- Polished Brass
- Satin Brass

ARMSTRONG

DUAL LEVER MIXER

Delivering an elegant finish to your bathroom, the Dual Lever Mixer is the classic bathroom tap with individual hot and cold temperature control and flow.



Dimensions (mm):
W166 x H165 x D46

Finishes:

- Chrome ● Nickel ● Pewter ● English Bronze
- Gold ● Polished Brass ● Satin Brass





ARMSTRONG

WALL-MOUNTED SINGLE LEVER MIXER

The perfect space-saving option, with innovative 360° design technology for the handle to be installed on the left or right side of the spout.



Dimensions (mm):
W177 x H41 x D22

Finishes:

Chrome
 Nickel
 Pewter
 English Bronze
 Gold
 Polished Brass
 Satin Brass

ARMSTRONG

WALL-MOUNTED DUAL LEVER MIXER

Offering design and function, the Wall-Mounted Dual Lever basin mixer comes with a dual control for a balanced look.



Dimensions (mm):
W190 x H47 x D22

Finishes:

- Chrome ● Nickel ● Pewter ● English Bronze
- Gold ● Polished Brass ● Satin Brass





ARMSTRONG

FREESTANDING BATH SHOWER MIXER

The Freestanding Bath Shower Mixer is a genuine statement piece featuring Perrin & Rowe's thermostatic technology, that comes with a hand shower. The ultimate showcase for the tapmaker's art: a true feat of engineering.



Dimensions (mm):
W335 x H958 x D54

Finishes:

- Chrome ● Nickel ● Pewter ● English Bronze
- Gold ● Polished Brass ● Satin Brass

ARMSTRONG

SHOWER SET

Finish off your bathroom with an Armstrong Shower Set, with a concealed valve. Featuring Perrin & Rowe's state-of-the-art thermostatic/pressure balance valve for a luxurious shower experience every time.



Dimensions (mm):
W331 x H923 x D50

See page 23 for more information on the valve technology.

Finishes:

Chrome
 Nickel
 Pewter
 English Bronze
 Gold
 Polished Brass
 Satin Brass





ARMSTRONG

ACCESSORIES

Complement the look with Armstrong accessories, the essential finishing touches to your bathroom. Available in all seven Perrin & Rowe finishes to perfectly match your brassware choice.

TOWEL BAR
W602 x H98 x D46mm

TOWEL RING
W46 x H173 x D53mm

ROBE HOOK
W53 x H46 x D46mm



PAPER HOLDER
W147 x H98 x D46mm

SOAP DISPENSER
W150 x H75 x D120mm



Finishes:

- Chrome
- Nickel
- Pewter
- English Bronze
- Gold
- Polished Brass
- Satin Brass

FINISHES



CHROME

A brilliant silver with a hint of blue.



NICKEL

A shiny finish with a golden glow.



PEWTER

A brushed nickel with a matt appearance.



ENGLISH BRONZE

A metallic brown finish with subtle notes of orange and copper.



GOLD

Plated with 24 carat gold, pure yellow in colour, with a natural glow and high shine.



POLISHED BRASS

A warm finish with coppery undertones.



SATIN BRASS

A matt finish with strong undertones of yellow ochre.

Some finishes will change over time. For more information, visit our website.

Polished Brass, Satin Brass, English Bronze and 24-carat Gold are Special Finishes. We make these to order, and they may have longer delivery times than our Standard Finishes. Contact our Customer Services team for details.

TECHNOLOGY FOR MODERN LIVING

The Armstrong bathroom collection is designed for a seamless install and a luxurious shower experience using proprietary technology.

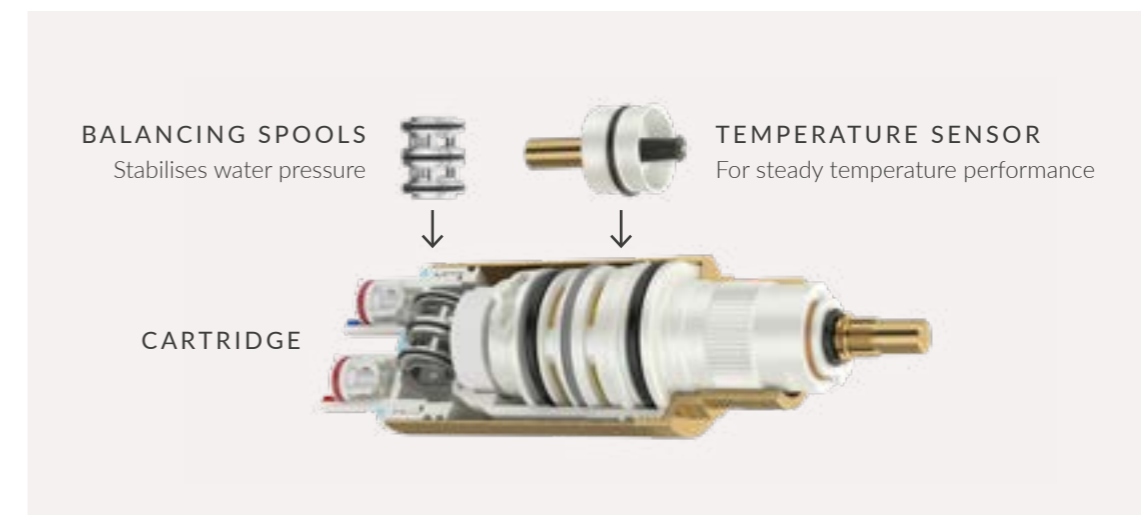


360° Technology

Designed for flexibility, the Armstrong wall-mounted basin mixer can be installed with the handle on the left or right side of the spout.

Perrin & Rowe R23 Valve System

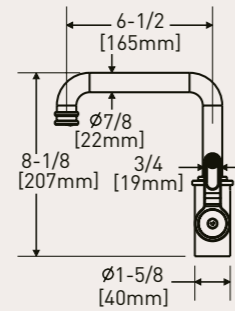
The patented thermostatic/pressure balance shower valve offers stabilising water pressure for steady temperature performance, even in the event of a 50% water drop in pressure. Temperature, flow and divert options are effortlessly controlled.



PRICELIST TAPS

All prices exclude VAT.

SINGLE LEVER MIXER



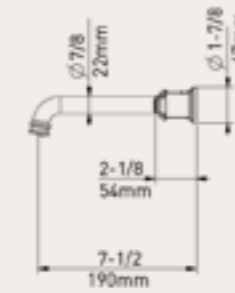
G 1/2" connections.
Ceramic cartridge.
Swivel aerator.
Click clack waste supplied.

CHROME	3641CP	£540.00
NICKEL	3641NI	£594.00
PEWTER	3641PF	£648.00
ENGLISH BRONZE	3641BZ	£675.00
GOLD	3641IG	£729.00
POLISHED BRASS	3641BR	£729.00
SATIN BRASS	3641SB	£729.00

PRICELIST TAPS

All prices exclude VAT.

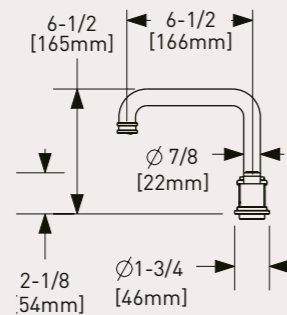
WALL-MOUNTED DUAL LEVER MIXER



G 1/2" connections.
Ceramic cartridge.
Swivel aerator.
Waste kit not included.

CHROME	3620CP	£595.00
NICKEL	3620NI	£654.50
PEWTER	3620PF	£714.00
ENGLISH BRONZE	3620BZ	£743.80
GOLD	3620IG	£803.30
POLISHED BRASS	3620BR	£803.30
SATIN BRASS	3620SB	£803.30

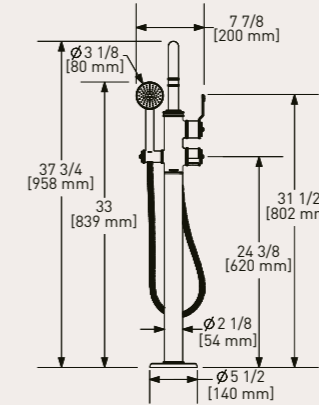
DUAL LEVER MIXER



G 1/2" or 15mm connections.
Ceramic cartridge.
Swivel aerator.
Slotted click clack waste supplied.

CHROME	3606CP	£595.00
NICKEL	3606NI	£654.50
PEWTER	3606PF	£714.00
ENGLISH BRONZE	3606BZ	£743.80
GOLD	3606IG	£803.30
POLISHED BRASS	3606BR	£803.30
SATIN BRASS	3606SB	£803.30

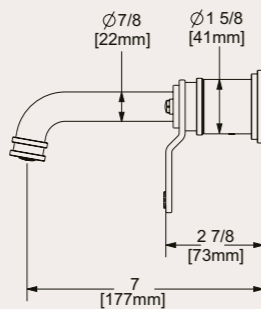
FREESTANDING BATH SHOWER MIXER



G 1/2" male connections.
Single function easy clean hand shower.
Thermostatic cartridge with anti-scald lock.
Under-floor rough-in kit supplied.

CHROME	3660CP	£2,350.00
NICKEL	3660NI	£2,585.00
PEWTER	3660PF	£2,820.00
ENGLISH BRONZE	3660BZ	£2,937.50
GOLD	3660IG	£3,172.50
POLISHED BRASS	3660BR	£3,172.50
SATIN BRASS	3660SB	£3,172.50

WALL-MOUNTED SINGLE LEVER MIXER



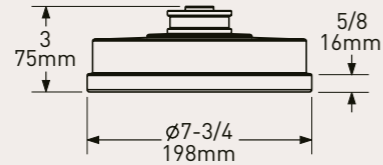
G 1/2" male connections.
Ceramic cartridge.
Swivel aerator.
360° design.
Waste kit not included.

CHROME	3681CP	£520.00
NICKEL	3681NI	£572.00
PEWTER	3681PF	£624.00
ENGLISH BRONZE	3681BZ	£650.00
GOLD	3681IG	£702.00
POLISHED BRASS	3681BR	£702.00
SATIN BRASS	3681SB	£702.00

PRICELIST SHOWER SET

All prices exclude VAT.

SHOWER HEAD



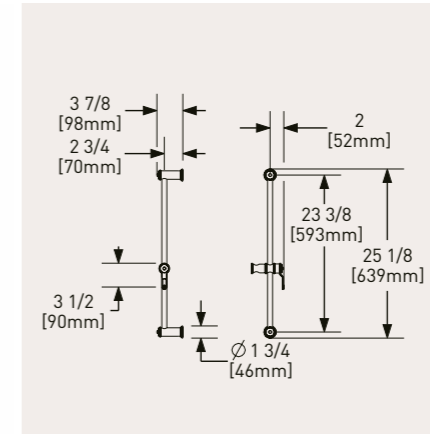
G 1/2" connection.
Easy clean nozzles.

CHROME	5605CP	£385.00
NICKEL	5605NI	£423.50
PEWTER	5605PF	£462.00
ENGLISH BRONZE	5605BZ	£481.30
GOLD	5605IG	£519.80
POLISHED BRASS	5605BR	£519.80
SATIN BRASS	5605SB	£519.80

PRICELIST SHOWER SET

All prices exclude VAT.

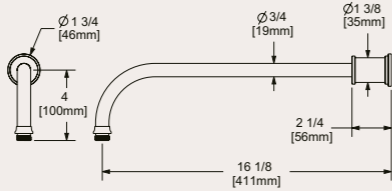
SLIDING RAIL



Right hand control.

CHROME	5640CP	£465.00
NICKEL	5640NI	£511.50
PEWTER	5640PF	£558.00
ENGLISH BRONZE	5640BZ	£581.30
GOLD	5640IG	£627.80
POLISHED BRASS	5640BR	£627.80
SATIN BRASS	5640SB	£627.80

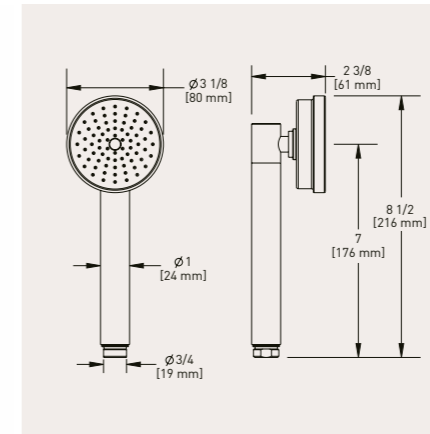
SHOWER ARM



G 1/2" connection.
G 1/2" shank supplied.

CHROME	5684CP	£174.00
NICKEL	5684NI	£191.40
PEWTER	5684PF	£208.80
ENGLISH BRONZE	5684BZ	£217.50
GOLD	5684IG	£234.90
POLISHED BRASS	5684BR	£234.90
SATIN BRASS	5684SB	£234.90

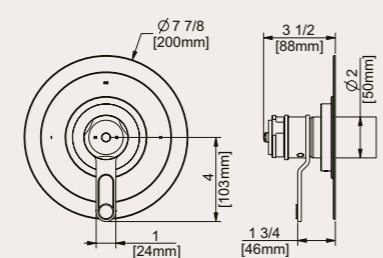
HAND SHOWER AND HOSE



Single function hand shower.
Easy clean nozzles.
1.5m hose.

CHROME	5687CP	£280.00
NICKEL	5687NI	£308.00
PEWTER	5687PF	£336.00
ENGLISH BRONZE	5687BZ	£350.00
GOLD	5687IG	£378.00
POLISHED BRASS	5687BR	£378.00
SATIN BRASS	5687SB	£378.00

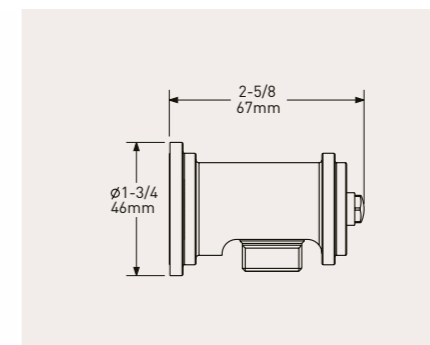
SHOWER CONTROL



G 1/2" male inlets & G 1/2" outlets.
Rough includes test cap & 2 check valves.
Four positions (OFF, 1, 1 and 2, 2) share.
Thermostatic/pressure balance coaxial cartridge with check valves.
Temperature and volume control with diverter.

CHROME	5664CP	£1,150.00
NICKEL	5664NI	£1,265.00
PEWTER	5664PF	£1,380.00
ENGLISH BRONZE	5664BZ	£1,437.50
GOLD	5664IG	£1,552.50
POLISHED BRASS	5664BR	£1,552.50
SATIN BRASS	5664SB	£1,552.50

WALL OUTLET



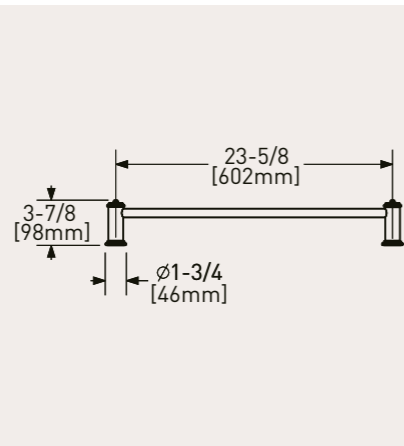
G 1/2" connection.
G 1/2" shank supplied.

CHROME	5646CP	£115.00
NICKEL	5646NI	£126.50
PEWTER	5646PF	£138.00
ENGLISH BRONZE	5646BZ	£143.80
GOLD	5646IG	£155.30
POLISHED BRASS	5646BR	£155.30
SATIN BRASS	5646SB	£155.30

PRICELIST ACCESSORIES

All prices exclude VAT.

TOWEL BAR



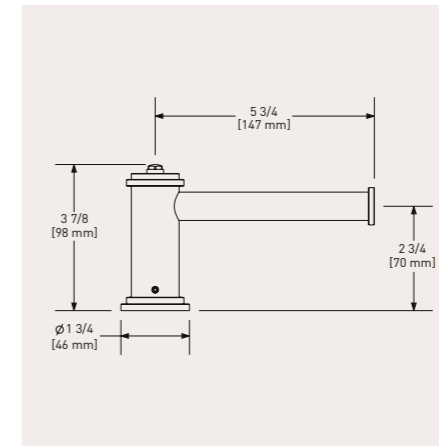
Two fixing points.

CHROME	6241CP	£230.00
NICKEL	6241NI	£253.00
PEWTER	6241PF	£276.00
ENGLISH BRONZE	6241BZ	£287.50
GOLD	6241IG	£310.50
POLISHED BRASS	6241BR	£310.50
SATIN BRASS	6241SB	£310.50

PRICELIST ACCESSORIES

All prices exclude VAT.

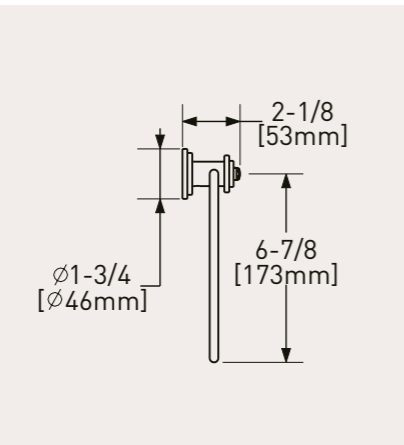
PAPER HOLDER



Two fixing points.

CHROME	6258CP	£160.00
NICKEL	6258NI	£176.00
PEWTER	6258PF	£192.00
ENGLISH BRONZE	6258BZ	£200.00
GOLD	6258IG	£216.00
POLISHED BRASS	6258BR	£216.00
SATIN BRASS	6258SB	£216.00

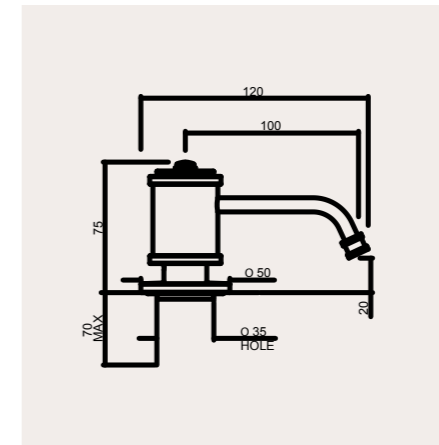
TOWEL RING



Two fixing points.

CHROME	6235CP	£110.00
NICKEL	6235NI	£121.00
PEWTER	6235PF	£132.00
ENGLISH BRONZE	6235BZ	£137.50
GOLD	6235IG	£148.50
POLISHED BRASS	6235BR	£148.50
SATIN BRASS	6235SB	£148.50

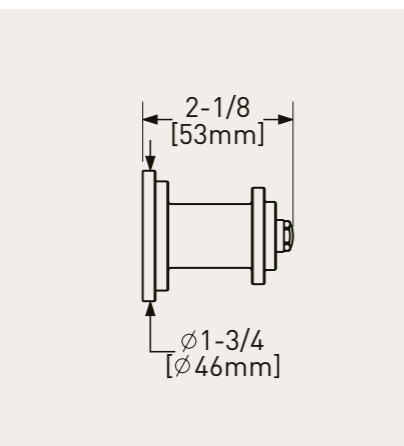
SOAP DISPENSER



Soap dispenser bottle capacity 500ml.
Easy top fill option or undermount refill.

CHROME	6595CP	£121.40
NICKEL	6595NI	£133.50
PEWTER	6595PF	£145.70
ENGLISH BRONZE	6595BZ	£151.70
GOLD	6595IG	£163.80
POLISHED BRASS	6595BR	£163.80
SATIN BRASS	6595SB	£163.80

ROBE HOOK



Two fixing points.

CHROME	6221CP	£75.00
NICKEL	6221NI	£82.50
PEWTER	6221PF	£90.00
ENGLISH BRONZE	6221BZ	£93.80
GOLD	6221IG	£101.30
POLISHED BRASS	6221BR	£101.30
SATIN BRASS	6221SB	£101.30

OUR PROMISE

All Perrin & Rowe products are designed and manufactured in Britain.

We are driven by engineering excellence.

We use state-of-the-art manufacturing technology to support our traditional methods and skills.

Our brassware is made from low lead brass of the highest quality available. The surface is plated to a thickness that exceeds industry standards, ensuring a deep, protective coating that is resistant to wear and pleasing to the eye.

We assemble our brassware by hand, and individually water-test each one.

Our levers and spouts include bearing rings and engineering 'O' seals to ensure maximum durability.

Perrin & Rowe brassware has a 'wobble-free feel'.

Our ceramic disc valves are tested up to 500,000 cycles and supplied by the world's leading ceramic cartridge manufacturer. On test, valves are repeatedly turned on and off with pressurised water to the equivalent of 25 years' use in a domestic installation.

Perrin & Rowe specifically manufacture for different markets around the globe. No additional adapters or converters are required for installation.

Our aim is to offer the world's finest range of kitchen and bathroom products.

Valid from 1st January 2023, this document supersedes all previous price lists and is subject to change without notice. Terms and conditions apply.

Visit www.perrinandrowe.co.uk for details.

SHOWROOMS

Perrin & Rowe products are available from bathroom retailers nationwide.

To find your nearest authorised showroom and view our wide range of products, visit the Find a Local Showroom page on our website.

Alternatively, visit our showroom at the Design Centre, Chelsea Harbour. Our team will be happy to advise you on design, specification and technical matters.

Specification Showroom
House of Rohl 316-318
North Dome Design Centre
Chelsea Harbour
London
SW10 0XE
United Kingdom

CONTACT US

For more information on the Armstrong Collection please contact us.

Perrin & Rowe
Unit 1, Gateway XIII, Ferry Lane, Rainham,
Essex, RM13 9JY, United Kingdom.

Telephone: +44 (0)1708 526 361
Email: sales@perrinandrowe.co.uk

www.perrinandrowe.co.uk

[f](#) [@](#) [t](#) /perrinandrowe

WELCOME TO THE HOUSE OF ROHL

The House of Rohl is a collection of artisan brands recognised for their artistry and heritage.

SHAWS FIRECLAY SINKS

The genius of founder Arthur Shaw was to identify the waste material extracted from the colliery at Darwen, as fireclay. In 1897 he established Shaws of Darwen to make use of it.

Today, at the same factory in Northern England, Shaws' own Heavy Duty Fireclay is fired hotter and longer to produce kitchen and bathroom sinks with an incredibly durable finish.

RIOBEL CONTEMPORARY BRASSWARE

Quebec is where European culture meets North American spirit. In this vibrant city, Riobel design distinctive and innovative brassware, inspired by the sculptural forms of contemporary architecture. Beneath the surface, industry-leading engineering delivers performance and reliability. Riobel offers luxury designed to be lived with.

VICTORIA + ALBERT BATHS AND BASINS

To make beautiful baths and basins of the highest quality, Victoria + Albert developed their own unique material. Made from natural Volcanic Limestone™, QUARRYCAST™ is light, warm to the touch and incredibly strong. This gives Victoria + Albert's designers the freedom to create award-winning designs that can last a lifetime.



HOUSE OF ROHL

Explore the collection at houseofrohl.uk

PERRIN & ROWE[®]
L O N D O N