

Linda-X

CERAMICS COLLECTION



Ideal Standard



A T E L I E R

COLLECTIONS

Linda-X — CERAMICS COLLECTION

DESIGN LUDOVICA+ROBERTO PALOMBA

A TRIBUTE TO ONE OF THE MOST LOVED HISTORICAL COLLECTIONS OF IDEAL STANDARD. MADE FROM THE ECO-SUSTAINABLE AND INNOVATIVE CERAMIC BLEND DIAMATEC®, LINDA X PERFECTLY INTERPRETS THE PURITY OF THE ICONIC LINDA DESIGN MAKING IT UNEXPECTEDLY LIGHT, ALMOST IMMATERIAL.

LINDA-X
CONCA
MIRROR

Basin 60x50cm / Silk White finish
Basin unit 60cm / Silk White finish
Round mirror Ø60cm



DESIGN HERITAGE

Linda

— 1977

*Achille
Castiglioni*

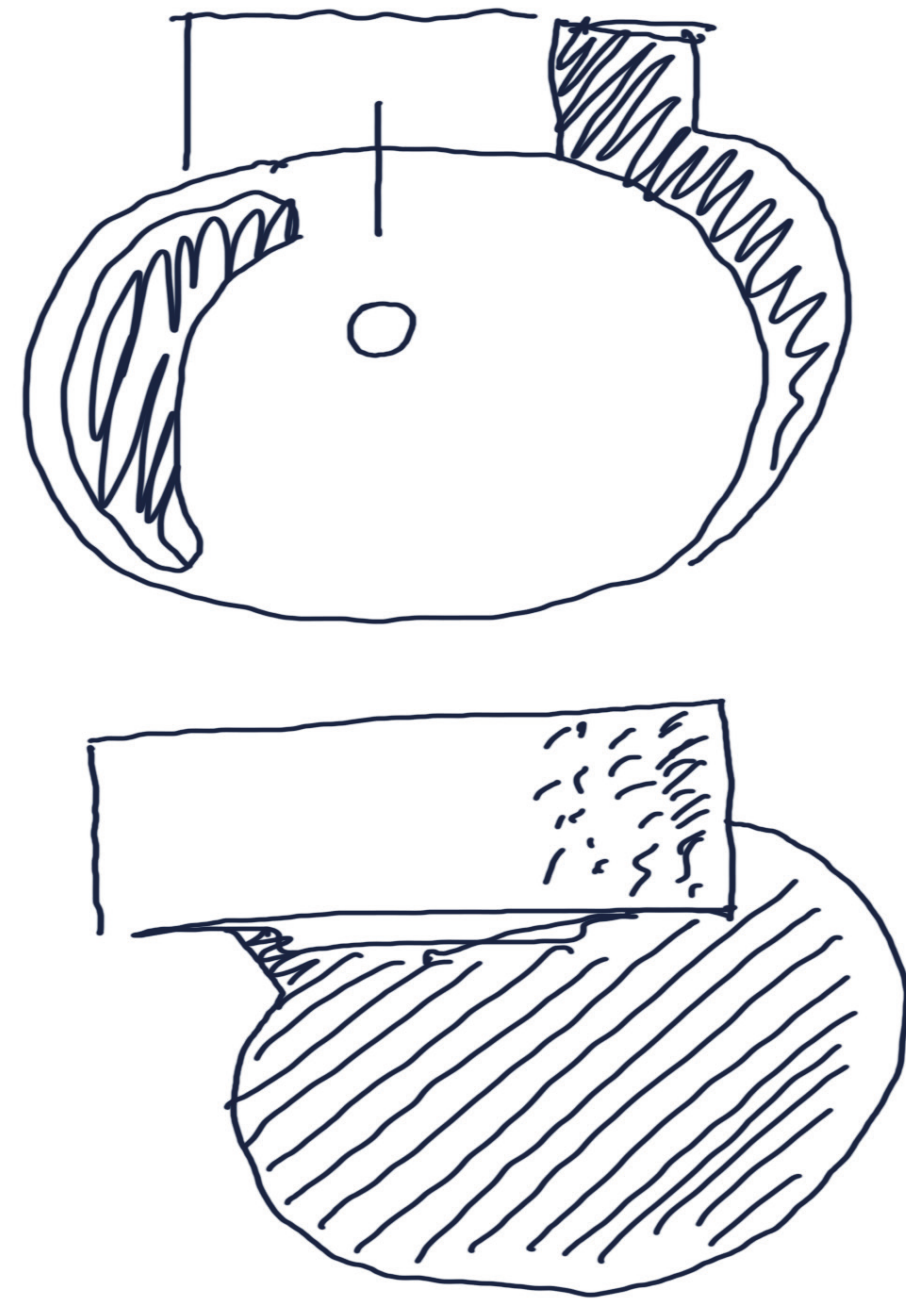


"ONE MUST ALWAYS KNOW HOW TO IMAGINE
AND GIVE SHAPE TO A NEW WORLD WITH ALL
ITS DESIRES AND DREAMS".

— **ACHILLE CASTIGLIONI**

The reinvented collection

— 2021



"THIS COLLECTION STEMS FROM THE DESIRE TO PAY HOMAGE TO IDEAL STANDARD'S DNA WITH AN EYE TO THE FUTURE".

— ROBERTO PALOMBA



LINDA-X

Vessel 55cm / Gloss White finish

JOY
MIRROR

Vessel basin mixer / Silver Storm finish
Round mirror Ø60cm





Linda X + Joy





LINDA-X

TONIC II
LINDA-X
JOY
MIRROR

Freestanding bathtub / Matt White finish

Freestanding mixer / Silver Storm finish
Vessel 55cm / Gloss White finish
Vessel mixer / Silver Storm finish
Round mirror Ø60cm



Indulge your senses.

LINDA-X FREESTANDING BATHS ARE A DESIGN STATEMENT TO SIMPLICITY IN ITS PUREST FORM.



vessel 45



vessel 55



basin 50



basin 60



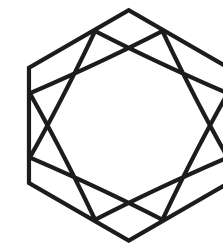
basin 75



DIAMATEC®

Impossibly fine,
effortlessly strong

A UNIQUE BLEND OF ALUMINA AND CHAMOTTE.
A MATERIAL THAT ALLOWS HIGHLY COMPLEX
AND CHALLENGING DESIGNS.
UNPRECEDENTED STRENGTH AND DURABILITY
ECO-SUSTAINABLE



Diamatec
technology

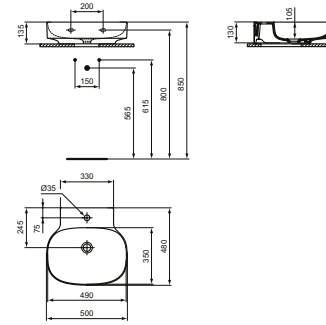
LINDA-X

BASIN 50CM WITH 1 TAP HOLE

MODEL	FINISH	SKU
No Overflow, 1 tap hole	Gloss White	T439001
No Overflow, 1 tap hole	Silk White	T4390V1
No Overflow, 1 tap hole,Grinded	Gloss White	T498501
No Overflow, 1 tap hole,Grinded	Silk White	T4985V1

- 50x48cm basin
- Features Diamatec technology allowing for ultra thin basin walls

- Can be used with Idealflow hidden overflow code N8326AA
- 1 tap hole
- Wall-mounted installation or laid on worktop with furniture
- Grinded model for lay on installation with furniture

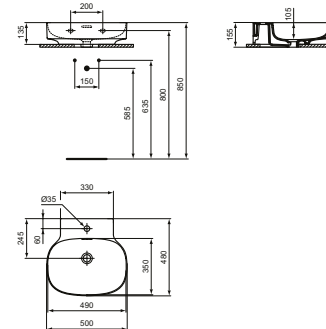


BASIN 50CM WITH 1 TAP HOLE

MODEL	FINISH	SKU
With Overflow, 1 tap hole	Gloss White	T475301
With Overflow, 1 tap hole	Silk White	T4753V1
With Overflow, 1 tap hole, Grinded	Gloss White	T498101
With Overflow, 1 tap hole, Grinded	Silk White	T4981V1

- 50x48cm basin
- Features Diamatec technology allowing for ultra thin basin walls
- Slotted overflow

- 1 tap hole
- Wall-mounted installation or laid on worktop with furniture
- Grinded model for lay on installation with furniture

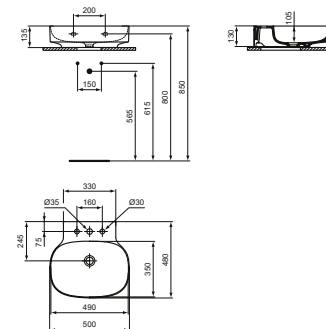


BASIN 50CM WITH 3 TAP HOLES

MODEL	FINISH	SKU
No Overflow, 3 tap holes	Gloss White	T439001
No Overflow, 3 tap holes,Grinded	Gloss White	T498601

- 50x48cm basin
- Features Diamatec technology allowing for ultra thin basin walls

- No overflow, can be used with Ideal flow hidden overflowN8326AA
- 3 tap holes
- Wall-mounted installation or laid on worktop with furniture
- Grinded model for lay on installation with furniture

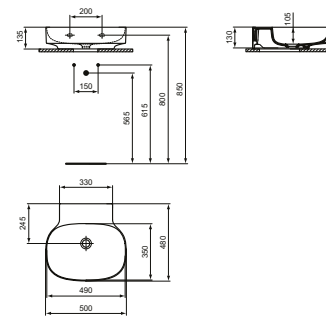


BASIN 50CM WITHOUT TAP HOLE

MODEL	FINISH	SKU
No Overflow, No tap hole	Gloss White	T439201
No Overflow, No tap hole,Grinded	Gloss White	T498701

- 50x48cm basin
- Features Diamatec technology allowing for ultra thin basin walls

- No overflow, can be used with Ideal flow hidden overflow N8326AA
- No tap holes
- Wall-mounted installation or laid on worktop with furniture
- Grinded model for lay on installation with furniture

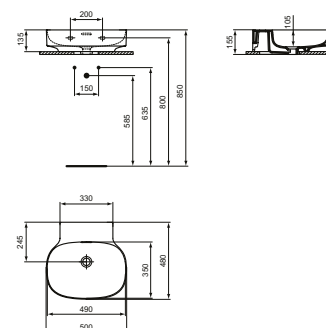


BASIN 50CM WITHOUT TAP HOLE

MODEL	FINISH	SKU
No Overflow, No tap hole	Gloss White	T475401
No Overflow, No tap hole,Grinded	Gloss White	T498201

- 50x48cm basin
- Features Diamatec technology allowing for ultra thin basin walls
- Slotted overflow

- No tap holes
- Wall-mounted installation or laid on worktop with furniture
- Grinded model for lay on installation with furniture



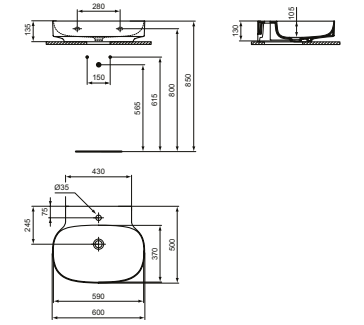
LINDA-X

BASIN 60CM WITH 1 TAP HOLE

MODEL	FINISH	SKU
No Overflow, 1 tap hole	Gloss White	T439301
No Overflow, 1 tap hole	Silk White	T4393V1
No Overflow, 1 tap hole,Grinded	Gloss White	T498801
No Overflow, 1 tap hole,Grinded	Silk White	T4988V1

- 60x50cm basin
- Features Diamatec technology allowing for ultra thin basin walls

- No overflow, can be used with Ideal flow hidden overflow N8326AA
- 1 tap hole
- Wall-mounted installation or laid on worktop with furniture
- Grinded model for lay on installation with furniture

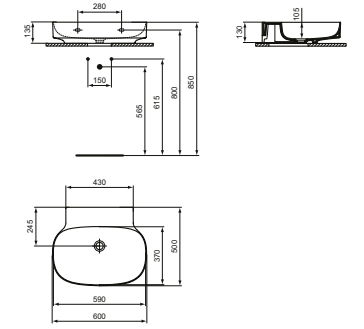


BASIN 60CM WITHOUT TAP HOLE

MODEL	FINISH	SKU
No Overflow, No tap hole	Gloss White	T439501
No Overflow, No tap hole, Grinded	Gloss White	T439501

- 60x50cm basin
- Features Diamatec technology allowing for ultra thin basin walls

- No overflow, can be used with Ideal flow hidden overflow N8326AA
- No tap holes
- Wall-mounted installation or laid on worktop with furniture
- Grinded model for lay on installation with furniture

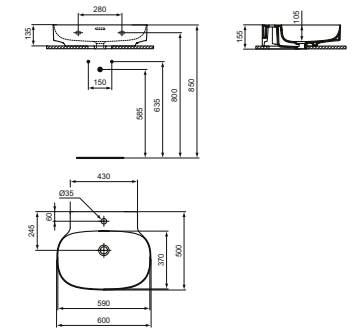


BASIN 60CM WITH 1 TAP HOLE

MODEL	FINISH	SKU
With Overflow, 1 tap hole	Gloss White	T475501
With Overflow, 1 tap hole	Silk White	T4755V1
With Overflow, 1 tap hole, Grinded	Gloss White	T498301
With Overflow, 1 tap hole, Grinded	Silk White	T4983V1

- 60x50cm basin
- Features Diamatec technology allowing for ultra thin basin walls
- Slotted overflow

- 1 tap hole
- Wall-mounted installation or laid on worktop with furniture
- Grinded model for lay on installation with furniture

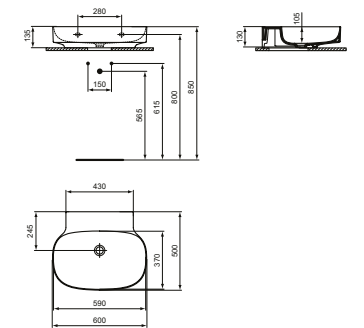


BASIN 60CM WITHOUT TAP HOLE

MODEL	FINISH	SKU
With Overflow, No tap hole	Gloss White	T475601
With Overflow, No tap hole, Grinded	Gloss White	T498401

- 60x50cm basin
- Features Diamatec technology allowing for ultra thin basin walls
- Slotted overflow

- No tap holes
- Wall-mounted installation or laid on worktop with furniture
- Grinded model for lay on installation with furniture

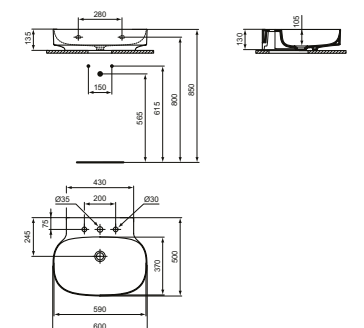


BASIN 60CM WITH 3 TAP HOLES

MODEL	FINISH	SKU
No Overflow, 3 tap holes	Gloss White	T439401
No Overflow, 3 tap holes, Grinded	Gloss White	T498901

- 60x50cm basin
- Features Diamatec technology allowing for ultra thin basin walls

- No overflow, can be used with Ideal flow hidden overflow N8326AA
- 3 tap holes
- Wall-mounted installation or laid on worktop with furniture
- Grinded model for lay on installation with furniture



LINDA-X

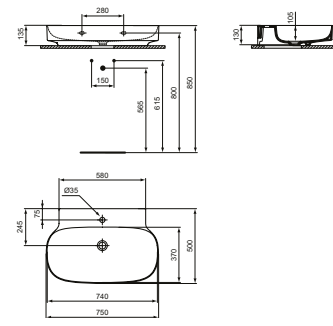
BASIN 75CM WITH 1 TAP HOLE

MODEL	FINISH	SKU
No Overflow, 1 tap hole	Gloss White	T439601
No Overflow, 1 tap hole	Silk White	T4396V1
No Overflow, 1 tap hole, Grinded	Gloss White	T499101
No Overflow, 1 tap hole, Grinded	Silk White	T4991V1



- 75x50cm basin
- Features Diamatec technology allowing for ultra thin basin walls

- No overflow, can be used with Ideal flow hidden overflow N8326AA
- 1 tap hole
- Wall-mounted installation or laid on worktop with furniture
- Grinded model for lay on installation with furniture



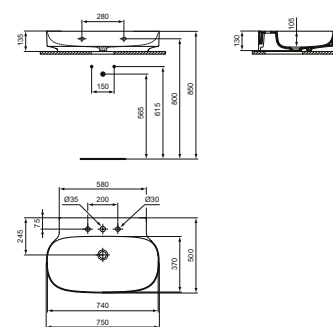
BASIN 75CM WITH 3 TAP HOLES

MODEL	FINISH	SKU
No Overflow, 3 tap holes	Gloss White	T439701
No Overflow, 3 tap holes, Grinded	Gloss White	T499201



- 75x50cm basin
- Features Diamatec technology allowing for ultra thin basin walls

- No overflow, can be used with Ideal flow hidden overflow N8326AA
- 3 tap holes
- Wall-mounted installation or laid on worktop with furniture
- Grinded model for lay on installation with furniture



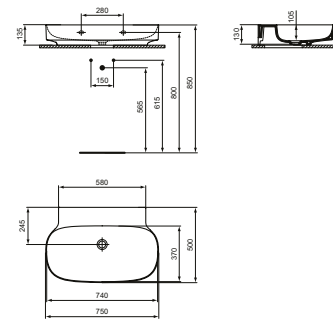
BASIN 75CM WITHOUT TAP HOLE

MODEL	FINISH	SKU
No Overflow, No tap hole	Gloss White	T439801
No Overflow, No tap hole, Grinded	Gloss White	T499301



- 75x50cm basin
- Features Diamatec technology allowing for ultra thin basin walls

- No overflow, can be used with Ideal flow hidden overflow N8326AA
- No tap holes
- Wall-mounted installation or laid on worktop with furniture
- Grinded model for lay on installation with furniture



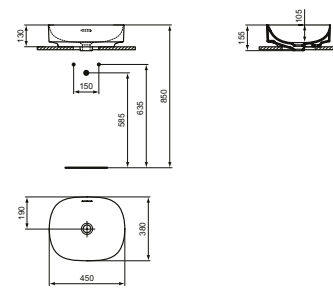
VESSEL OVAL 45 WITHOUT TAP HOLE

MODEL	FINISH	SKU
With Overflow, No tap hole	Gloss White	T439901
With Overflow, No tap hole	Silk White	T4399V1



- 45x38cm oval vessel basin
- Features Diamatec technology allowing for ultra thin basin walls
- With slotted overflow

- No tap holes
- Laid on worktop installation with furniture
- Grinded model for lay on installation with furniture



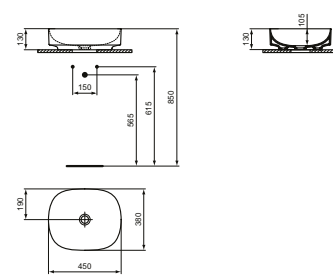
VESSEL OVAL 45 WITHOUT TAP HOLE

MODEL	FINISH	SKU
No Overflow, No tap hole	Gloss White	T440001
No Overflow, No tap hole	Silk White	T4400V1



- 45x38cm oval vessel basin
- Features Diamatec technology allowing for ultra thin basin walls
- Without overflow

- No tap holes
- Laid on worktop installation with furniture
- Grinded model for lay on installation with furniture



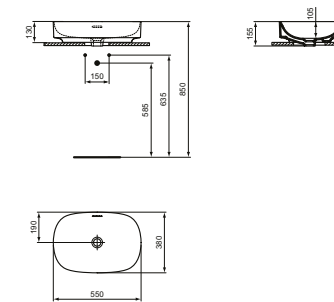
VESSEL OVAL 55 WITHOUT TAP HOLE

MODEL	FINISH	SKU
With Overflow, No tap hole	Gloss White	T440101
With overflow, No tap hole	Silk White	T4401V1



- 55x38cm oval vessel basin
- Features Diamatec technology allowing for ultra thin basin walls
- With slotted overflow

- No tap holes
- Laid on worktop installation with furniture



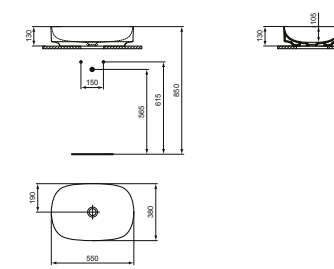
VESSEL OVAL 55 WITHOUT TAP HOLE

MODEL	FINISH	SKU
No Overflow, No tap hole	Gloss White	T440201
No Overflow, No tap hole	Silk White	T4402V1



- 55x38cm oval vessel basin
- Features Diamatec technology allowing for ultra thin basin walls
- Without overflow

- No tap holes
- Laid on worktop installation with furniture



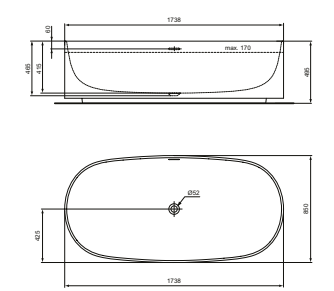
LINDA-X FREE-STANDING BATHTUB 180X80CM

MODEL	FINISH	SKU
With Overflow, 1 tap hole	Silk White	T4626EN



- Dimensions 180x80cm
- Weight: 170kg
- Water capacity: 277l

- Norm: EN14516
- Waste: 52mm waste & waste cover included (covered in solid surface mat white)





Ideal Standard

Ideal Standard International NV
Corporate Village
Gen Building Da Vincillan 2
B-1935 Zaventem
Belgium
Tel: 01482 346361

IDEALSTANDARD.COM